


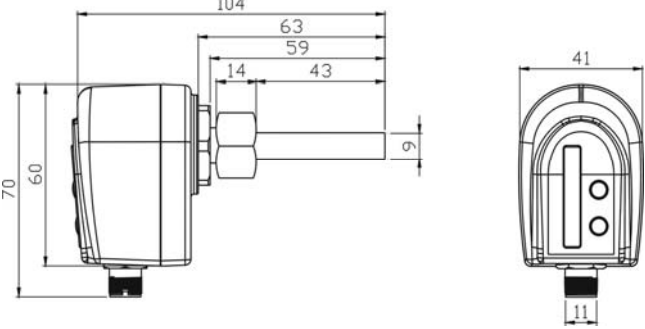
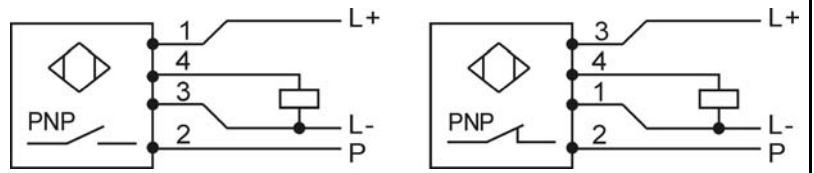
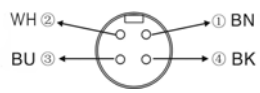


<p>FL0001 Smart Flow Sensor Compact type for adaptor M12 socket Thread connection Internal thread M18 x 1.5 for adaptor Plastic housing PBT+GF</p>	 <p>CE RoHS</p>
Application	Liquid and Gas
Electric design	DC PNP
Output	N.O.  /N.C. 
Operating voltage[V]	20...36 DC
Current loading [mA]	400
Short-circuit protection	Yes
Reverse polarity protection	Yes
Overload protection	Yes
Voltage drop[V]	<2.5
Current consumption [mA]	<60
Max. temperature gradient of medium [K/min]	300
Pressure rating [bar]	300
Liquid medium temperature [°C]	-25...80
Liquid setting range [cm/S]	3...300
Max. sensing range [cm/S]	3...60
Gas medium temperature	-25...80
Gas setting range [cm/S]	200...3000
Max. sensing range [cm/S]	200...800
Power-on delay time [s]	15's
Response time [s]	1's...10's
Operating temperature [°C]	-25°C...80°C
Protection classification	IP67
Dimension	
Shock resistance [g]	50
Vibration resistance [g]	20
Housing material	PBT+GF
Sensor material	Stainless steel(S304)
Display	3-color LED X 10
Connection	M12 socket

Wiring

Core color



Programming wire (for remote adjustment)



ema Electronic Corp.

Web: www.ema-electronic.com

Mail: info@ema-electronic.com