
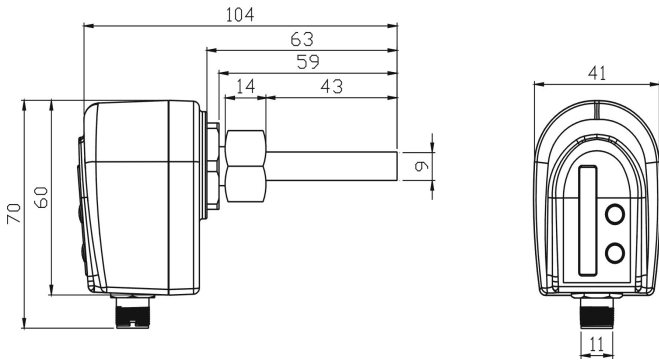
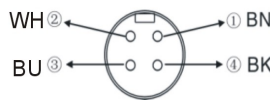
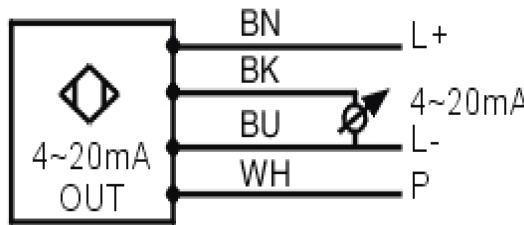


<p>FL0011 Smart Flow Sensor Compact type for adaptor M12 socket Thread connection Internal thread M18 x 1.5 for adaptor Plastic housing PBT+GF</p>	 <p>CE RoHS</p>
Application	Liquid and Gas
Operating voltage[V]	20...36 DC
Output	4-20mA
Output accuracy	±10% ( Standard under the normal temp. 25°C of water )
Reverse polarity protection	Yes
Current consumption [mA]	<60
Max. temperature gradient of medium [K]	300
Pressure rating [bar]	300
Liquid medium temperature [°C]	-25...80
Liquid setting range [cm/S]	3...60
Gas medium temperature [°C]	-25...80
Gas setting range [cm/S]	200...800
Power-on delay time [s]	< 8
Output response time [s]	< 2
Operating temperature [°C]	-25...80
Protection classification	IP67
Dimension	

Shock resistance [g]	50
Vibration resistance [g]	20
Housing material	PBT+GF
Sensor material	Stainless steel(S304)
Display	3-color LED X 10
Connection	M12 socket
Wiring Core color	  <p>Programming wire (for remote adjustment)</p>



Website: [www.ema-electronic.com](http://www.ema-electronic.com)  
 ema Electronics Corp. E-mail: [info@ema-electronic.com](mailto:info@ema-electronic.com)